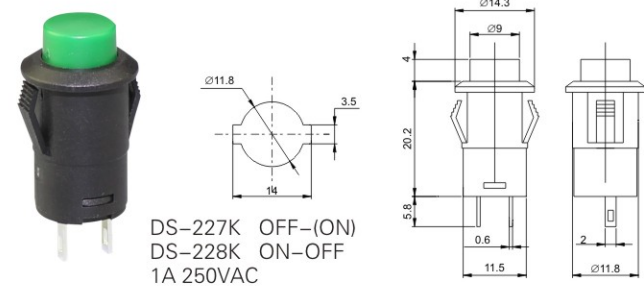
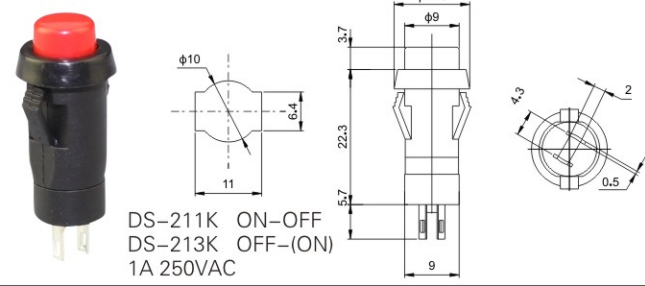
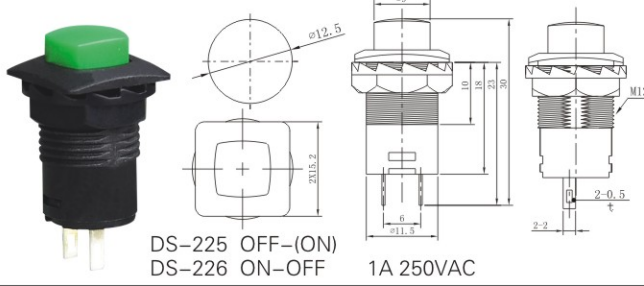
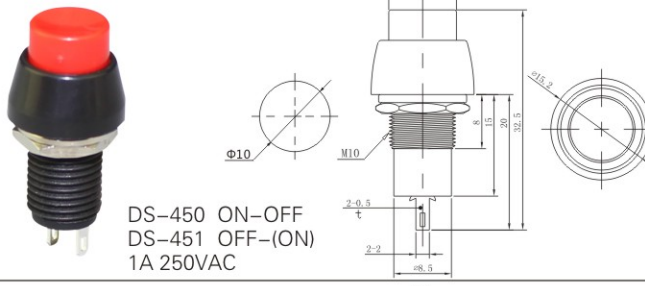
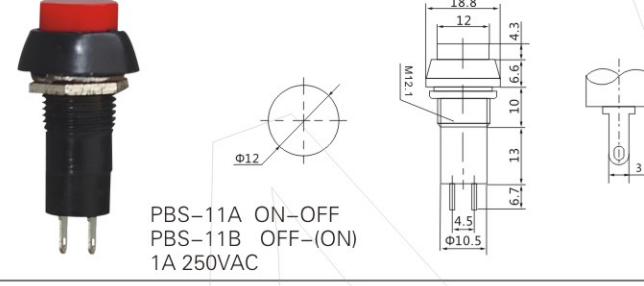
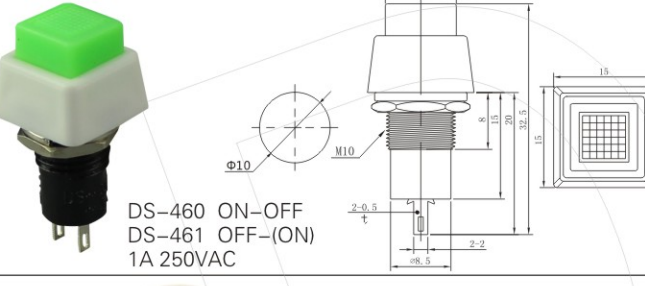
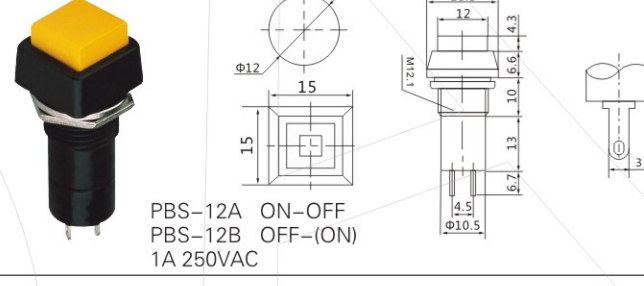

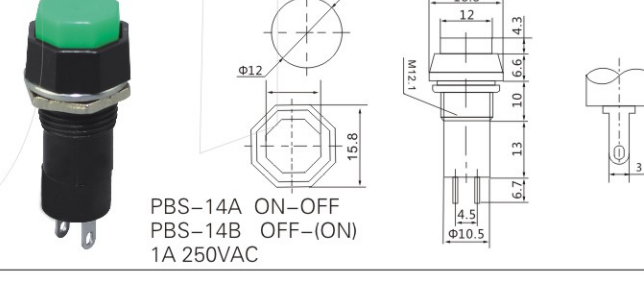
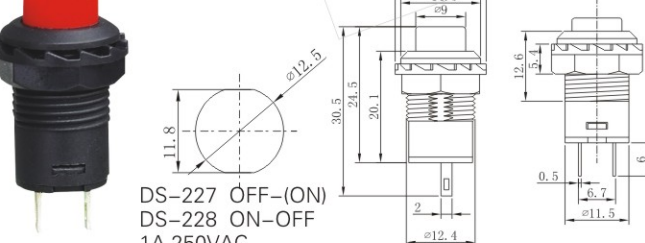
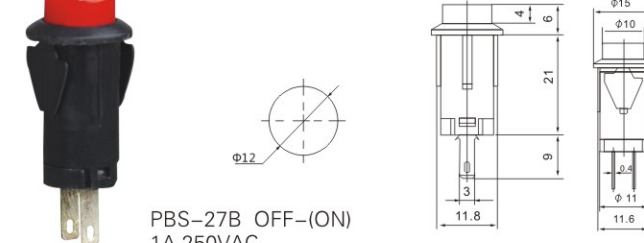
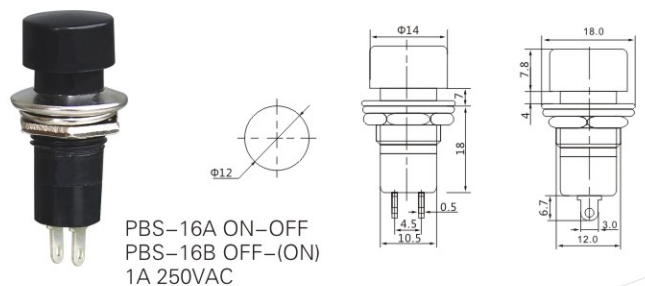
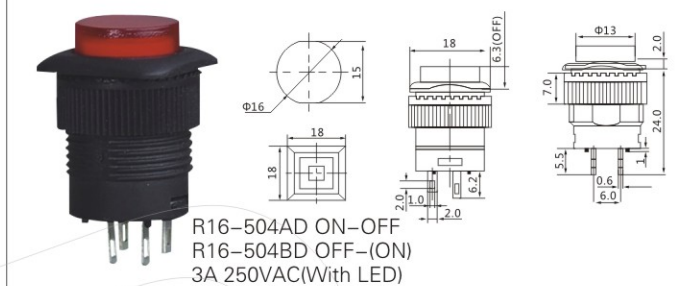
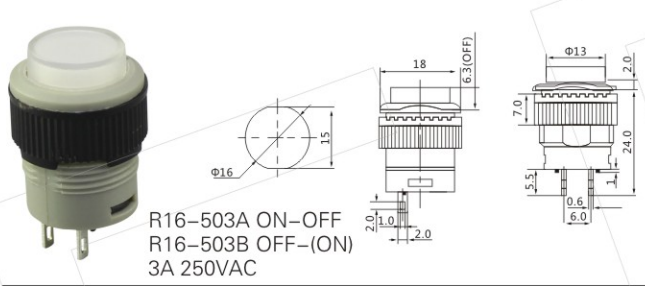

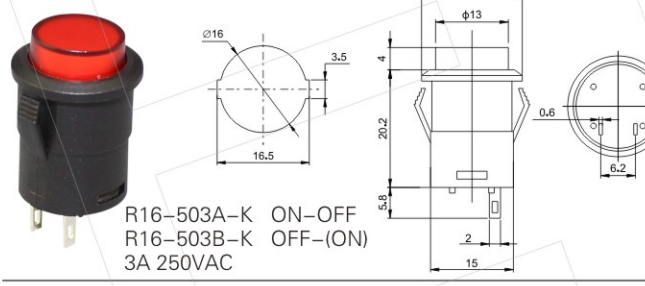
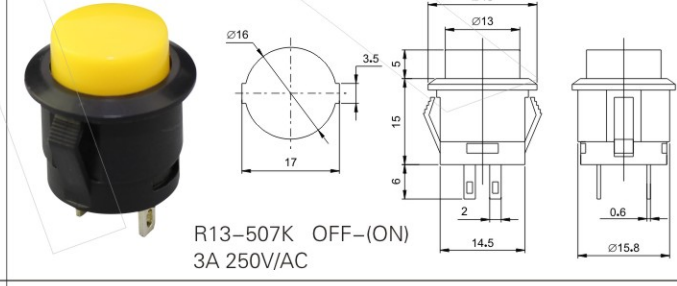
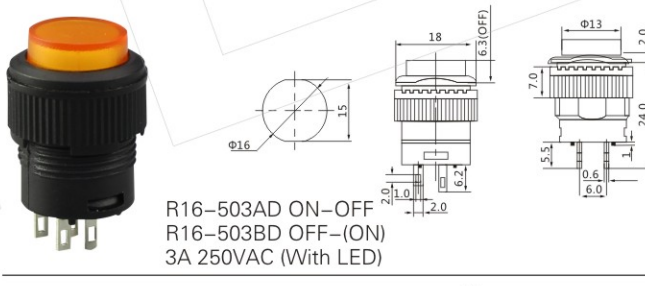
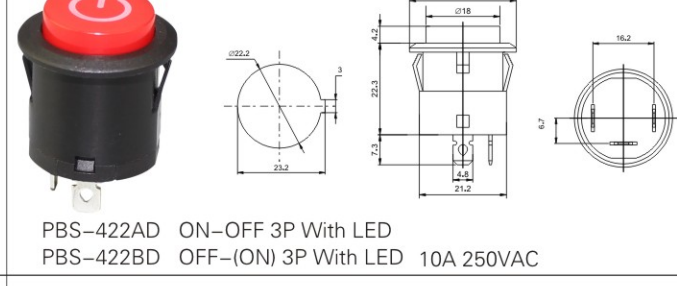
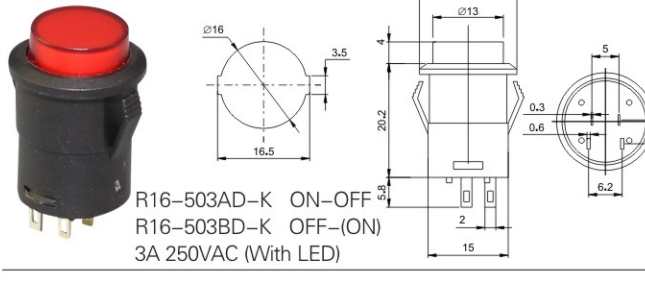
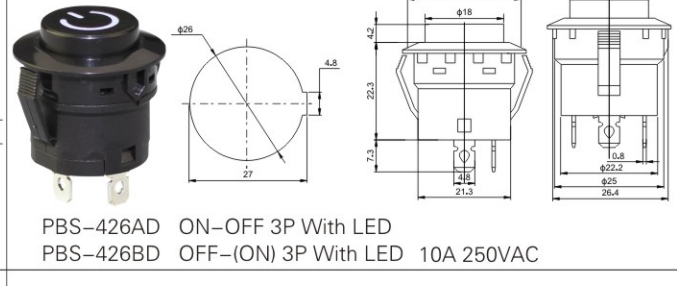
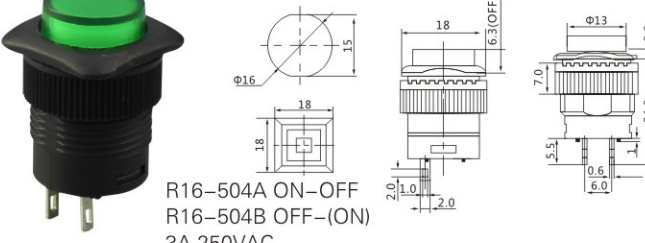
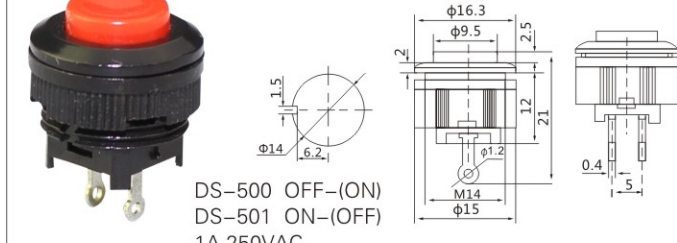
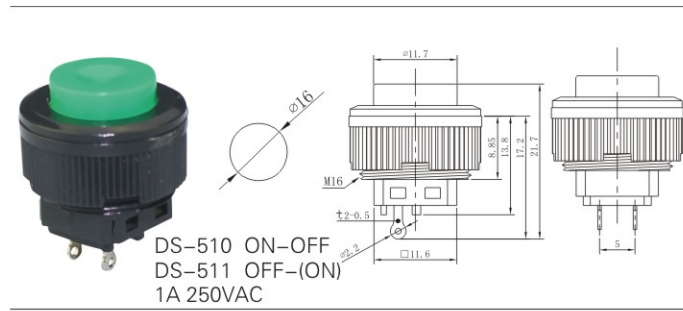
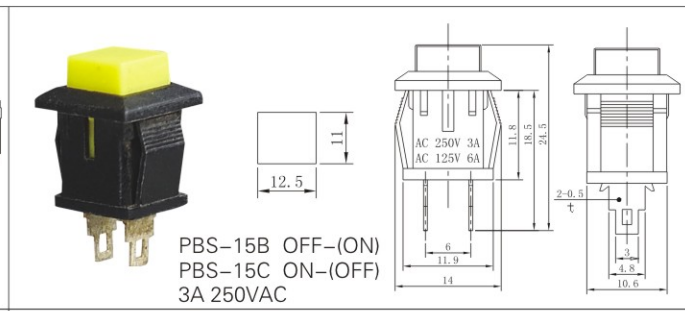
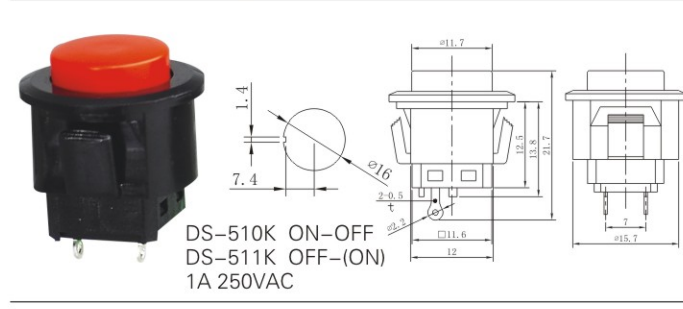
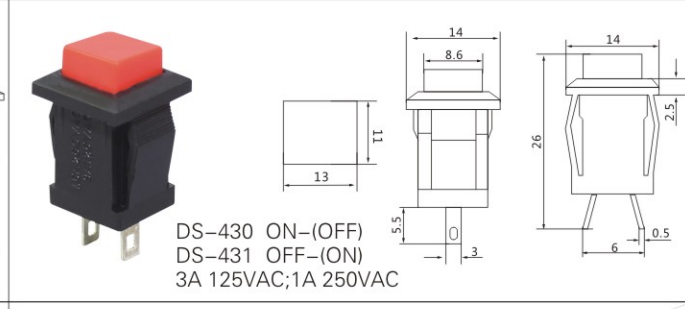
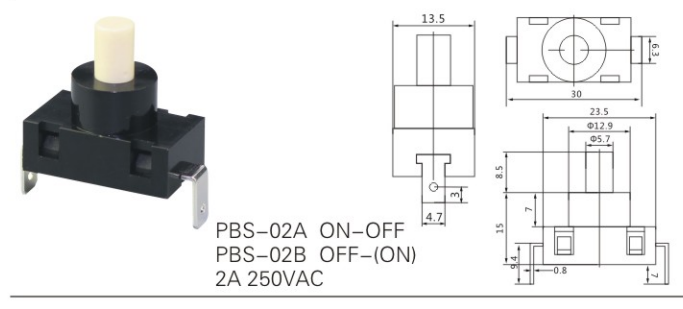
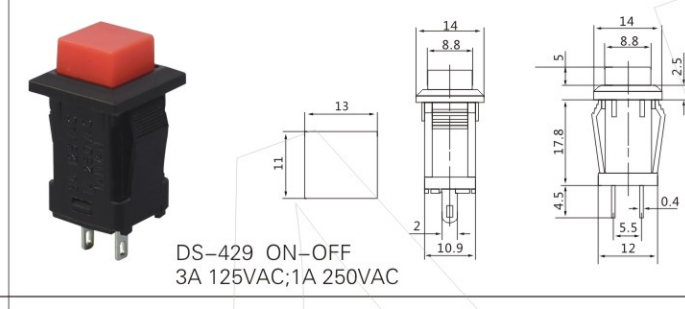
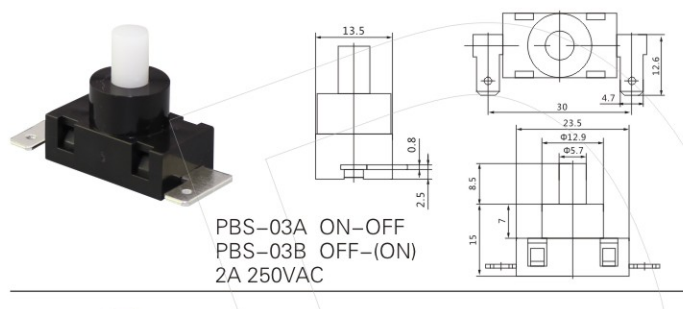
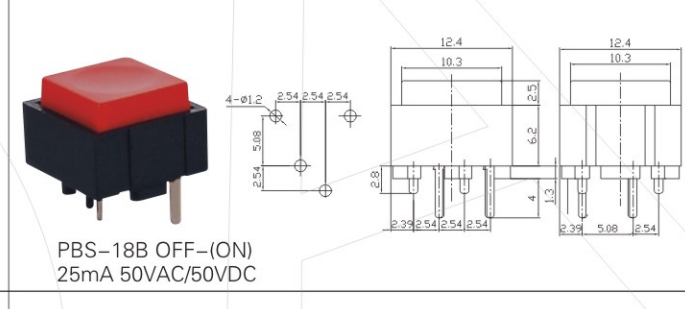
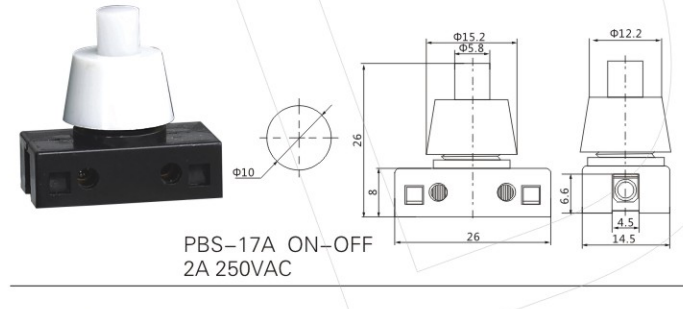
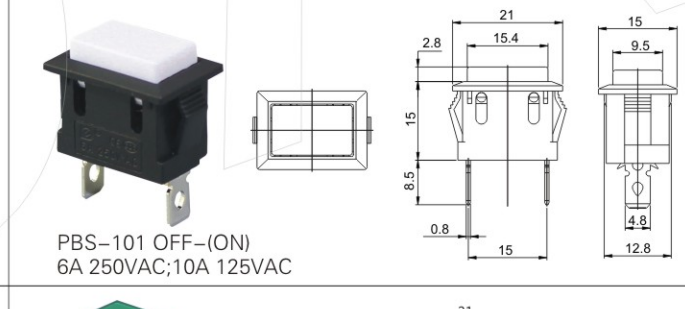
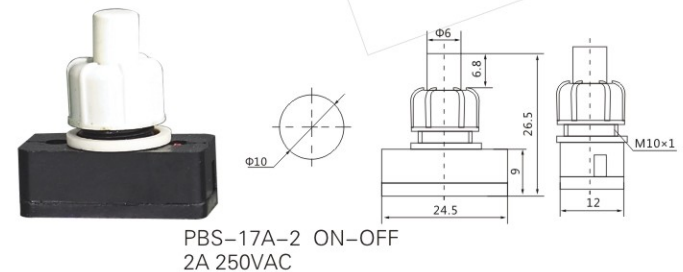
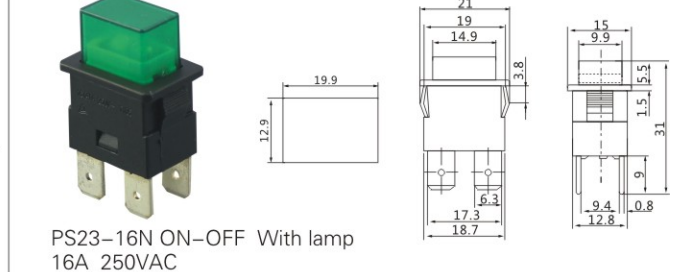

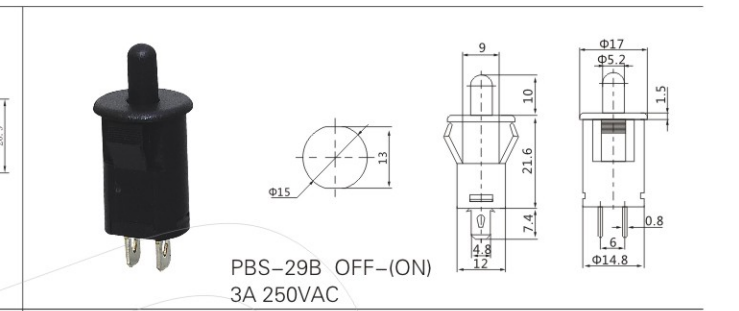
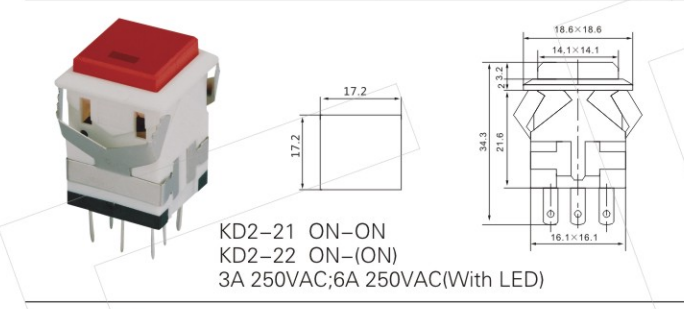
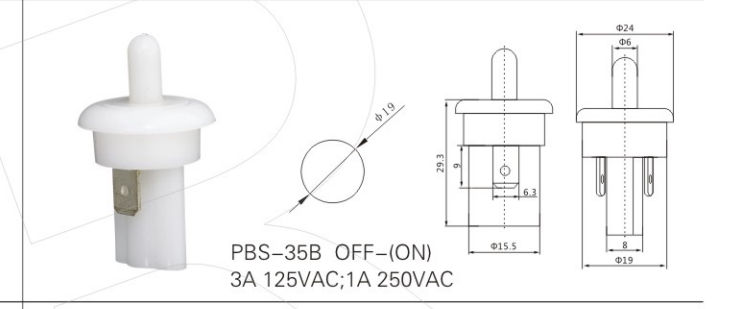
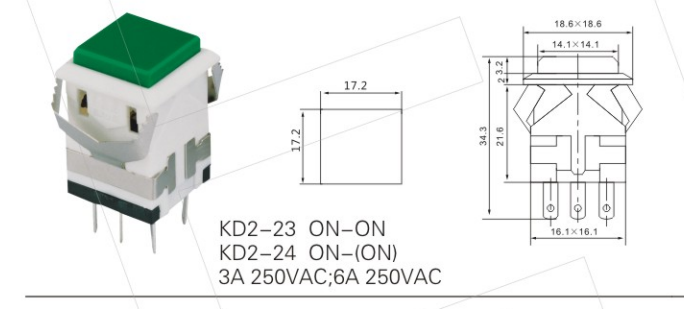
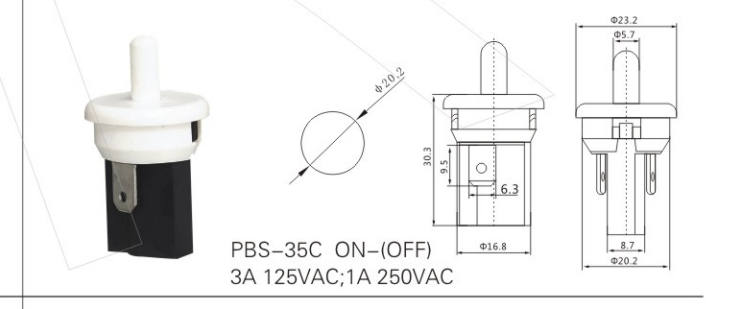
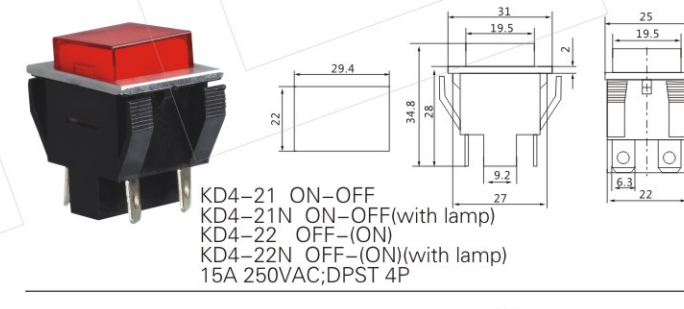
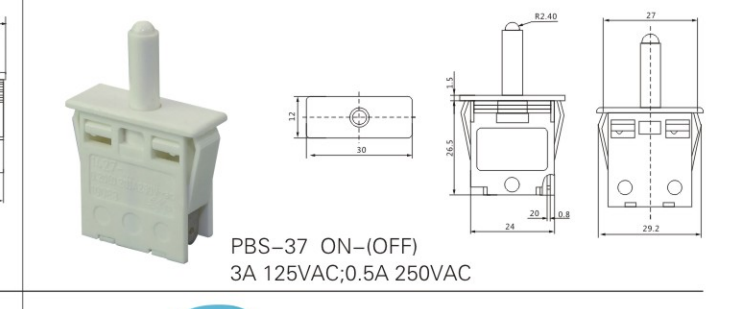
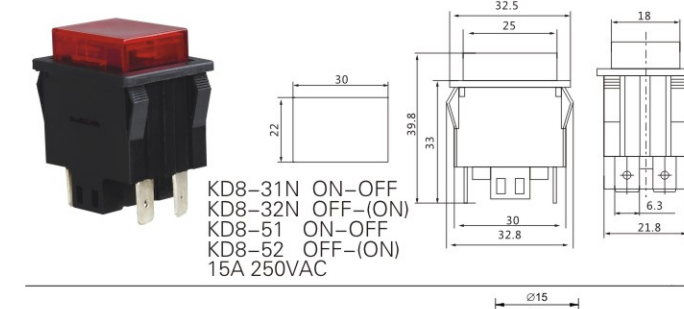
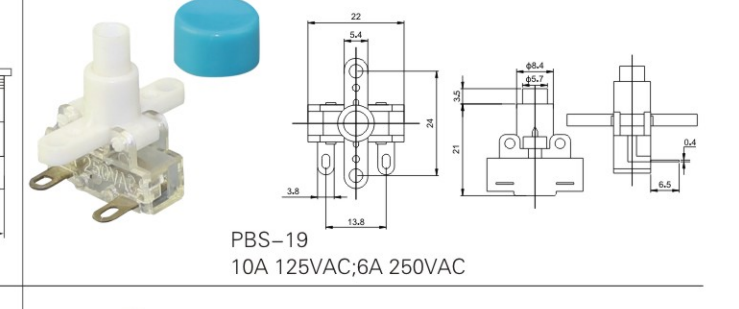
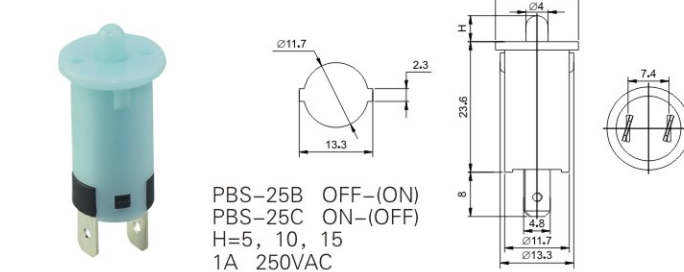
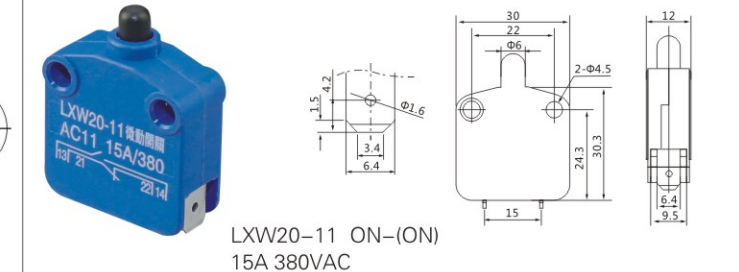



















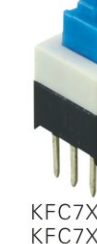



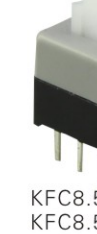
 <p>DS-211 ON-OFF DS-213 OFF-(ON) 1A 250VAC</p>	 <p>DS-227K OFF-(ON) DS-228K ON-OFF 1A 250VAC</p>
 <p>DS-211K ON-OFF DS-213K OFF-(ON) 1A 250VAC</p>	 <p>DS-225 OFF-(ON) DS-226 ON-OFF 1A 250VAC</p>
 <p>DS-450 ON-OFF DS-451 OFF-(ON) 1A 250VAC</p>	 <p>PBS-11A ON-OFF PBS-11B OFF-(ON) 1A 250VAC</p>
 <p>DS-460 ON-OFF DS-461 OFF-(ON) 1A 250VAC</p>	 <p>PBS-12A ON-OFF PBS-12B OFF-(ON) 1A 250VAC</p>
 <p>PBS-33B OFF-(ON) IP54 1A 250VAC WPC-33 Waterproof cover</p>	 <p>PBS-14A ON-OFF PBS-14B OFF-(ON) 1A 250VAC</p>
 <p>DS-227 OFF-(ON) DS-228 ON-OFF 1A 250VAC</p>	 <p>PBS-27B OFF-(ON) 1A 250VAC</p>

 <p>PBS-16A ON-OFF PBS-16B OFF-(ON) 1A 250VAC</p>	 <p>R16-504AD ON-OFF R16-504BD OFF-(ON) 3A 250VAC (With LED)</p>
 <p>R16-503A ON-OFF R16-503B OFF-(ON) 3A 250VAC</p>	 <p>R13-507 OFF-(ON) 3A 250V/AC</p>
 <p>R16-503A-K ON-OFF R16-503B-K OFF-(ON) 3A 250VAC</p>	 <p>R13-507K OFF-(ON) 3A 250V/AC</p>
 <p>R16-503AD ON-OFF R16-503BD OFF-(ON) 3A 250VAC (With LED)</p>	 <p>PBS-422AD ON-OFF 3P With LED PBS-422BD OFF-(ON) 3P With LED 10A 250VAC</p>
 <p>R16-503AD-K ON-OFF R16-503BD-K OFF-(ON) 3A 250VAC (With LED)</p>	 <p>PBS-426AD ON-OFF 3P With LED PBS-426BD OFF-(ON) 3P With LED 10A 250VAC</p>
 <p>R16-504A ON-OFF R16-504B OFF-(ON) 3A 250VAC</p>	 <p>DS-500 OFF-(ON) DS-501 ON-(OFF) 1A 250VAC</p>

 <p>DS-510 ON-OFF DS-511 OFF-(ON) 1A 250VAC</p>	 <p>PBS-15B OFF-(ON) PBS-15C ON-(OFF) 3A 250VAC</p>
 <p>DS-510K ON-OFF DS-511K OFF-(ON) 1A 250VAC</p>	 <p>DS-430 ON-(OFF) DS-431 OFF-(ON) 3A 125VAC; 1A 250VAC</p>
 <p>PBS-02A ON-OFF PBS-02B OFF-(ON) 2A 250VAC</p>	 <p>DS-429 ON-OFF 3A 125VAC; 1A 250VAC</p>
 <p>PBS-03A ON-OFF PBS-03B OFF-(ON) 2A 250VAC</p>	 <p>PBS-18B OFF-(ON) 25mA 50VAC/50VDC</p>
 <p>PBS-17A ON-OFF 2A 250VAC</p>	 <p>PBS-101 OFF-(ON) 6A 250VAC; 10A 125VAC</p>
 <p>PBS-17A-2 ON-OFF 2A 250VAC</p>	 <p>PS23-16N ON-OFF With lamp 16A 250VAC</p>

 <p>PS18-16N-2 ON-OFF With lamp WPC-18 waterproof cover</p>	 <p>PBS-29B OFF-(ON) 3A 250VAC</p>
 <p>KD2-21 ON-ON KD2-22 ON-(ON) 3A 250VAC; 6A 250VAC (With LED)</p>	 <p>PBS-35B OFF-(ON) 3A 125VAC; 1A 250VAC</p>
 <p>KD2-23 ON-ON KD2-24 ON-(ON) 3A 250VAC; 6A 250VAC</p>	 <p>PBS-35C ON-(OFF) 3A 125VAC; 1A 250VAC</p>
 <p>KD4-21 ON-OFF KD4-21N ON-OFF (with lamp) KD4-22 OFF-(ON) KD4-22N OFF-(ON) (with lamp) 15A 250VAC; DPST 4P</p>	 <p>PBS-37 ON-(OFF) 3A 125VAC; 0.5A 250VAC</p>
 <p>KD8-31N ON-OFF KD8-32N OFF-(ON) KD8-51 ON-OFF KD8-52 OFF-(ON) 15A 250VAC</p>	 <p>PBS-19 10A 125VAC; 6A 250VAC</p>
 <p>PBS-25B OFF-(ON) PBS-25C ON-(OFF) H=5, 10, 15 1A 250VAC</p>	 <p>LXW20-11 ON-(ON) 15A 380VAC</p>

 <p>DS-612 ON-ON DS-613 ON-(ON) 2A 250VAC; 5A 125VAC</p>	 <p>PBS-24-302 ON-ON PBS-24-312 ON-(ON)</p>
 <p>DS-622 ON-ON DS-623 ON-(ON) 2A 250VAC; 5A 125VAC</p>	 <p>PBS-24-302SP ON-ON PBS-24-312SP ON-(ON) 2A 250VAC; 4A 30VDC</p>
 <p>PBS-24B-2 OFF-(ON) PBS-24C-2 ON-(OFF) 6A 250VAC; 10A 125VDC</p>	 <p>DS-428 ON-(ON) 5A 250VAC</p>
 <p>PBS-24B-4 OFF-(ON) 2A 250VAC</p>	 <p>DS-438 ON-(ON) 16A 250VAC</p>
 <p>PBS-24-102P ON-ON 3P PBS-24-112P ON-(ON) 3P PBS-24-202P ON-ON 6P PBS-24-212P ON-(ON) 6P</p>	 <p>DS-448 ON-(ON) 16A 250VAC</p>
 <p>PBS-24-102 ON-ON 3P PBS-24-112 ON-(ON) 3P PBS-24-202 ON-ON 6P PBS-24-212 ON-(ON) 6P</p>	 <p>DS-438-2 ON-(ON) 16A 250VAC</p>

 <p>PBS-128 ON-OFF 1A 30VDC</p>	 <p>KAN-28 ON-OFF 1A 250VAC; 1A 30VDC</p>
 <p>PBS-05 ON-ON-OFF 1A 30VDC</p>	 <p>PBS-104 ON-OFF 1A 250VDC</p>
 <p>PBS-06 ON-OFF 1A 30VDC</p>	 <p>KFC6X6-A ON-ON KFC6X6-B ON-(ON)</p>
 <p>PBS-07-112-P3 ON-OFF PBS-07-213-P34 ON-ON-OFF</p>	 <p>KFC7X7-A ON-ON KFC7X7-B ON-(ON)</p>
 <p>KAN-9A ON-OFF Flat pin KAN-9A-L ON-OFF Angled pin 5A 250VAC</p>	 <p>KFC8X8-A ON-ON KFC8X8-B ON-(ON)</p>
 <p>PBS-09 ON-OFF 1A 250VAC; 1A 30VDC</p>	 <p>KFC8.5X8.5-A ON-ON KFC8.5X8.5-B ON-(ON)</p>

PBS8.5X8.5-A ON-ON PBS8.5X8.5-B ON-(ON)	PS-22F01L ON-ON PS-22F01N ON-(ON)	KZJ2X2-1J-A ON-ON KZJ2X2-1J-B ON-(ON)
KM8.5X8.5-4 (4.7X12.5X4.5mm)	PS-22F03L ON-ON PS-22F03N ON-(ON)	KZJ2X4-A ON-ON KZJ2X4-B ON-(ON)
KM8.5X8.5-3 (φ6X10mm)	PS-22F05L ON-ON PS-22F05N ON-(ON)	TV-3-A ON-OFF TV-3-B OFF-(ON)
KM8.5X8.5-2 (φ6X7mm)	PS-42F09L ON-ON PS-42F09N ON-(ON)	KDC-A10-A ON-OFF KDC-A10-B OFF-(ON)
KM8.5X8.5-1 (φ6X5mm)	PS-12E01L ON-ON PS-12E01N ON-(ON)	KM3.3X3.3-15 (5.4X5.4X14.8mm)
KM8.5X8.5-0 (φ6X3.7mm)	KZJ2X2-A ON-ON KZJ2X2-B ON-(ON)	KM3.3X3.3-2 (9X10.4mm)
KM8.5X8.5-7 (φ13.2X7.8mm)	KZJ2X2-1A ON-ON KZJ2X2-1B ON-(ON)	KM3.3X3.3-1 (7.5X12.5mm)
KM8.5X8.5-6 (φ15.8X7.5mm)		KM3.3X3.3-10 (20X7.5X11mm)
KM8.5X8.5-5 (10X18X6.8mm)		KM3.3X3.3-7 (12.2X5.7X11.2mm)
PS-22E01L ON-ON PS-22E01N ON-(ON)		KM3.3X3.3-5 (9.8X5.6X11.3mm)

A Series Plastic Push Button

A 塑料型 Series	16 尺寸 Mounting Size	11 刀数 Poles	S 功能 Function	Y 形状 shape	N 灯 LED	□ 外壳颜色 Housing Color	R 按钮颜色 Actuator Color	12V 灯电压 LED Volt
A12		11 1 NO 1NC 20 2NC 22 2NO 2NC 10 1NC	Y:圆形 Round F:正方形 Square J:长方形 Rectangle R:急停 Emergency M:蘑菇形 mushroom X:旋转形 Rotary type K:钥匙形 key type	No LED E Ring illuminated P Laser Power Logo EP Laser Power Logo+Ring N Lens illuminated S Custom Laser Symbol	黑色Black S 银色Silver	R 红色Red G 绿色Green Y 黄色Yellow B 蓝色Blue W 白色White A 黑色Black S 银色Silver	3V 6V 12V 24V 48V 110V 220V	
A16		S:(复位 Momentary) Z:(自锁 Latching)						
				A12-11SY; A12-11SY-N ON-(ON) A12-11ZY; A12-11ZY-N ON-(ON)	A16-22SF-N ON-(ON) A16-22ZF-N ON-(ON)	A16-11ZX2 ON-ON 3P A16-22ZX2 ON-ON 6P A16-22ZX3 ON-OFF-ON 6P	A16-10SR-B SPST A16-20SR-B DPST	
				A12-11SF; A12-11SF-N ON-(ON) A12-11ZF; A12-11ZF-N ON-(ON)	A16-11SJ-N ON-(ON) A16-11ZJ-N ON-(ON)	A16-11ZK2 ON-ON 3P A16-22K2 ON-ON 6P A16-22K3 ON-OFF-ON 6P	A22-11SY-N-SΔ ON-(ON) A22-11ZY-N-SΔ ON-(ON)	
				A12-11SJ; A12-11SJ-N ON-(ON) A12-11ZJ; A12-11ZJ-N ON-(ON)	A16-11SM ON-(ON) A16-11ZM ON-(ON)	A16-BZ Buzzer 蜂鸣器	A22-11SY-EP-SS ON-(ON) A22-11ZY-EP-SS ON-(ON)	
				A16-11SY; A16-11SY-N ON-(ON) A16-11ZY; A16-11ZY-N ON-(ON)	A16-11SR SPDT A16-22SR DPDT	A16-10SR-F SPST A16-20SR-F DPST	S01 Square S02 Rectangle	

IP67 Series Plastic Push Button

L	19	F	-	11	E	L	□	-	S	R	-	R	12V
塑料型 SERIES	尺寸 Mounting Dia.	按钮形状 Button Shape		接触方式 Contact Mode	灯 LED	开关功能 Function	类别 Tape		外壳颜色 Housing Color	按钮颜色 Actuator Color		LED颜色 LED Color	LED电压 LED VOLT
L12	13.7X30	F Flat Round		10 1NO		M Momentary			A 黑色Black	R 红色Red		Same as button	3V
L16		H High Round		11 1NO1NC		L Latching			S 银色Silver	G 绿色Green		R 红色Red	6V
L19				22 2NO2NC						Y 黄色Yellow		G 绿色Green	12V
L22										B 蓝色Blue		Y 黄色Yellow	24V
L25	28X35									W 白色White		B 蓝色Blue	48V
										A 黑色Black		W 白色White	110V
										S 银色Silver		2A Red/green	220V
												2B Red/yellow	
												2C Red/blue	
												2D Red/white	
												2E Green/blue	
												2F Green/yellow	
												3A Red/green/blue	
												3B Red/green/yellow	
												3D Red/green/white	
												3E Red/blue/yellow	
												3F Red/blue/white	

No LED	开关 Switch
E Ring illuminated	R 急停 Emergency
P Laser Power Logo	K 钥匙形 key type
EP Laser Power Logo+Ring	X 旋转形 Rotary type
N Lens illuminated	D 指示灯 Indicator
S Custom Laser Symbol	

 <p>L16F-11M-SΔ 3P ON-(ON) L16F-11L-SΔ 3P ON-(ON) L16F-11NM-SΔ 5P ON-(ON) L16F-11NL-SΔ 5P ON-(ON)</p>	 <p>L19F-11M-AA 5P ON-(ON) L19F-11EPL-AA 5P ON-(ON) L19F-11EPM-AA 6P Dual LED L19F-11EPM-AA 7P Triple LED</p>	 <p>L22F-11PM-SS 5P ON-(ON) L22F-11PL-SS 5P ON-(ON) L22F-11PM-SS 6P Dual LED L22F-11PM-SS 7P Triple LED</p>
 <p>L16F-11M-AA 3P ON-(ON) L16F-11L-AA 3P ON-(ON) L16F-11NM-AA 5P ON-(ON) L16F-11NL-AA 5P ON-(ON)</p>	 <p>L22F-11M-SΔ 3P ON-(ON) L22F-11L-SΔ 3P ON-(ON) L22F-11NM-SΔ ON-(ON) L22F-11NL-SΔ ON-(ON)</p>	 <p>L16-HS□ (For L16 SW) L19-HS□ (For L19/L22 SW) LAS1-19-HS□ (For LAS1-19 SW) GQ22-HS□ (For GQ22 SW) GQ25-HS□ (For GQ25 SW) □: Number of wires</p>
 <p>L19F-11M-SΔ 3P ON-(ON) L19F-11L-SΔ 3P ON-(ON) L19F-11NM-SΔ ON-(ON) L19F-11NL-SΔ ON-(ON)</p>	 <p>L22F-11M-AA 3P ON-(ON) L22F-11L-AA 3P ON-(ON) L22F-11NM-AA ON-(ON) L22F-11NL-AA ON-(ON)</p>	 <p>DPC-16 φ16 DPC-19 φ19 DPC-22 φ22 DPC-25 φ25 Dustproof&Safety cover</p>

				
DS-12B	GQ-16F	PBS-28B-2/J	GQ22F-11	GQ30F
				
DS-12B-DM	GQ-16B	PBS-28B	GQ22-11E	GQ40F-22E
				
DS-12B-L	GQ-16H/J	PBS-28B-4	GQ22-11D	PZ16F-10 Piezo Switch
				
DS-12B-DL	GQ16F-10EM	GQ19BS-10EM	GQ25H	PZ19C-10 Piezo Switch
				
GQ-12B	LAS3-16F-11E	LAS1-19F-E	GQ25F-E	PZ22-10E Piezo Switch
				
GQ12H-10EM	LAS3-16F-11D	LAS1-19F-D	GQ25F-D	TS22C-10E Touch Switch

